



## Swivel Fastener (SWF):



## General Information:

**Function:** Used to connect profiles at adjustable angles.

**Features:**

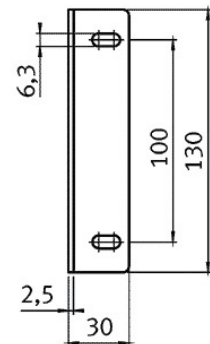
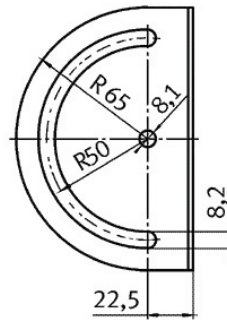
1. Adjustable angles.

## Item Description:

SWF

## Item Number:

1.25.0132.0

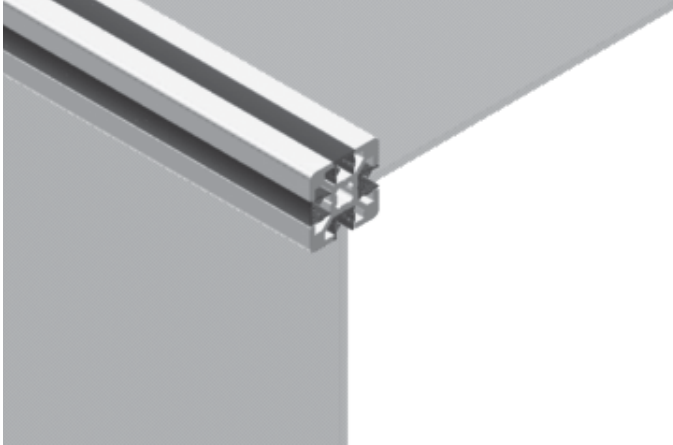


## Technical Information:

Item Description	For Screw	Weight (g)	Colour	Finish	Material
SWF	M8	221.0	Natural	Zinc plated	Steel



Cover Profiles (CPF):



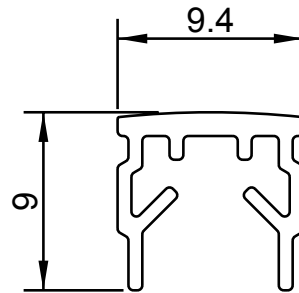
General Information:

Item Description:

CPF - S8

Item Number:

1.25.0052.0



Item Description:

CPF - S10, Black

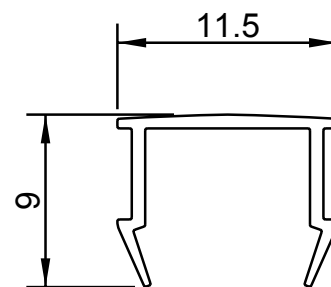
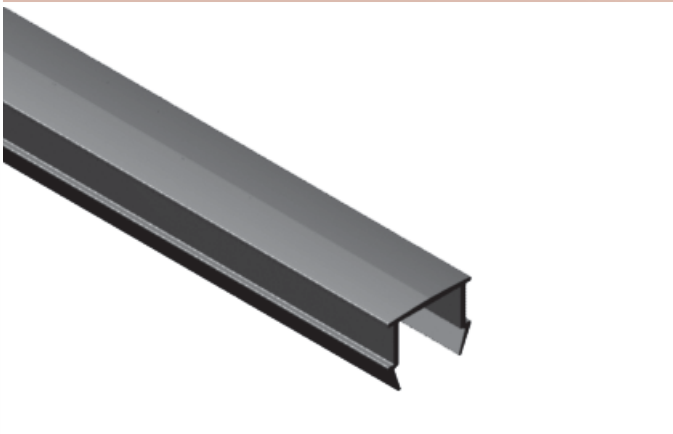
Item Number:

1.25.0050.0



CPF - S10, Grey

1.25.0051.0

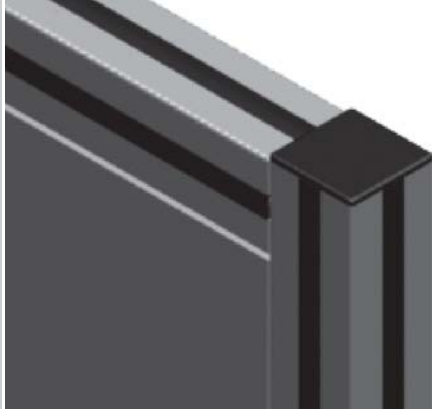


Technical Information:

Item Description	Weight (g)	Colour	Finish	Material
CPF - S8	-	Black	Plain	PVC (Lead free)
CPF - S10, Black	-			
CPF - S10, Grey	-	Grey		



## End Covers (ECV):



## General Information:

## Item Description:

ECV 19 x 32

ECV 19 x 45

ECV 20 x 20

ECV 30 x 30

ECV 45 x 45

ECV 45 x 60

ECV 60 x 60

ECV 45 x 90

ECV 90 x 90

## Item Number:

1.28.1932.0

1.28.1945.0

1.28.2020.0

1.28.3030.0

1.28.4545.0

1.28.4560.0

1.28.6060.0

1.28.4590.0

1.28.9090.0

P19x32

P19x45

P20x40

P30x60

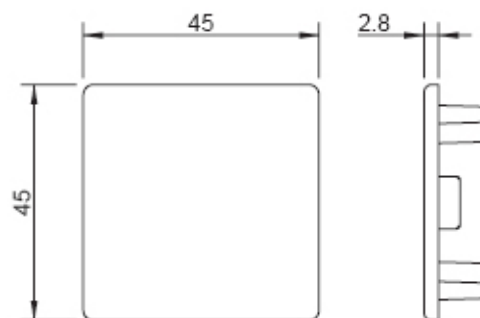
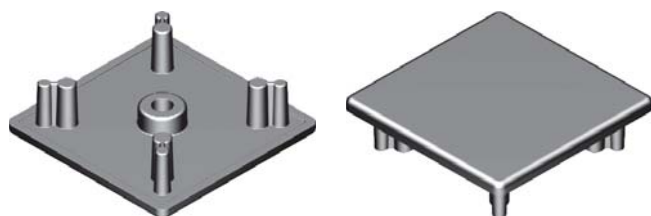
P45x45

P45x60

P60x60

P45x90

P90x90

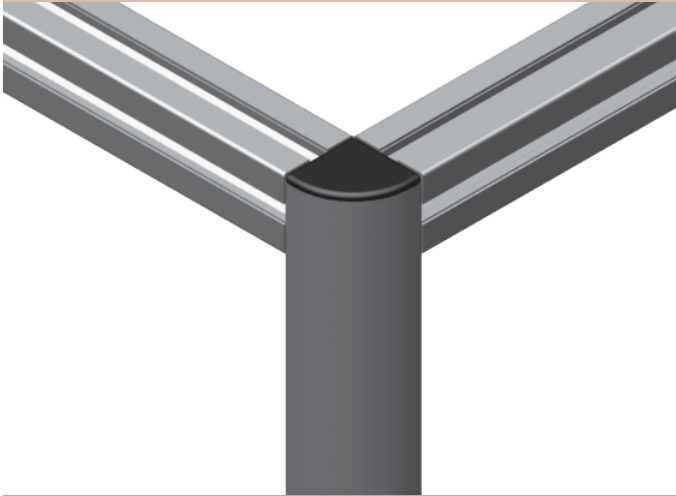


## Technical Information:

Item Description	Weight (g)	Colour	Finish	Material
ECV 19 x 32	-	Black	Plain	Polyamide
ECV 19 x 45	-			
ECV 20 x 20	-			
ECV 30 x 30	-			
ECV 45 x 45	-			
ECV 45 x 60	-			
ECV 60 x 60	-			
ECV 45 x 90	-			
ECV 90 x 90	-			



Cover Profiles (ECV ... R):



General Information:

Item Description:

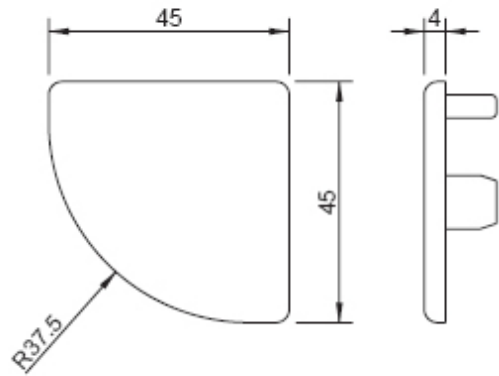
ECV 30R

ECV 45R

Item Number:

1.28.3039.0

1.28.4549.0



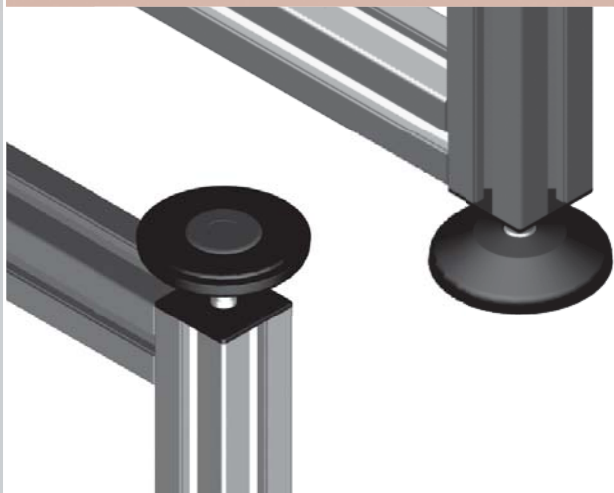
Technical Information:

Item Description	Weight (g)	Colour	Finish	Material
ECV 30R	-	Black	Plain	Polyamide
ECV 45R	-			



## End Covers (ECV ... H):

## General Information:



## Item Description:

## Item Number:

ECV 30 x 30 H

1.28.3036.0

P30x30

ECV 45 x 45 H

1.28.4546.0

P45x45

ECV 45 x 60 H

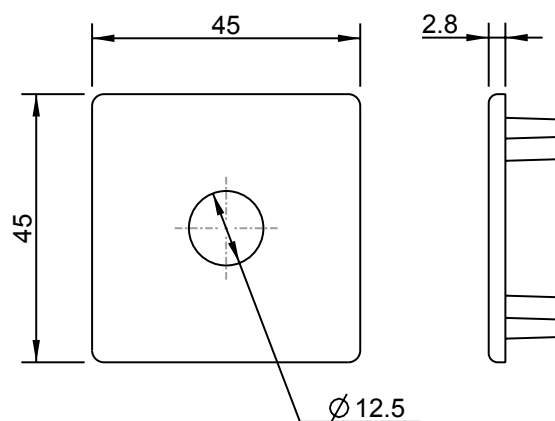
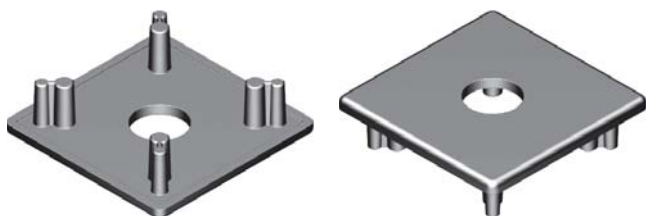
1.28.4566.0

P45x60

ECV 60 x 60 H

1.28.6066.0

P60x60



## Technical Information:

Item Description	Weight (g)	Colour	Finish	Material
ECV 30 x 30 H	-	Black	Plain	Polyamide
ECV 45 x 45 H	-			
ECV 45 x 60 H	-			
ECV 60 x 60 H	-			



Support Wheels (SW):



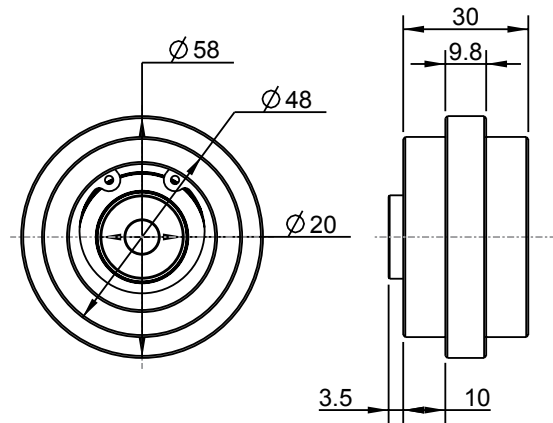
General Information:

Item Description:

SW - A

Item Number:

1.25.0071.0

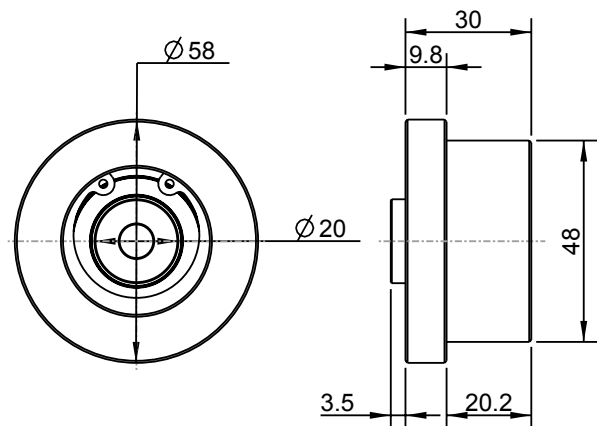


Item Description:

SW - B

Item Number:

1.25.0072.0



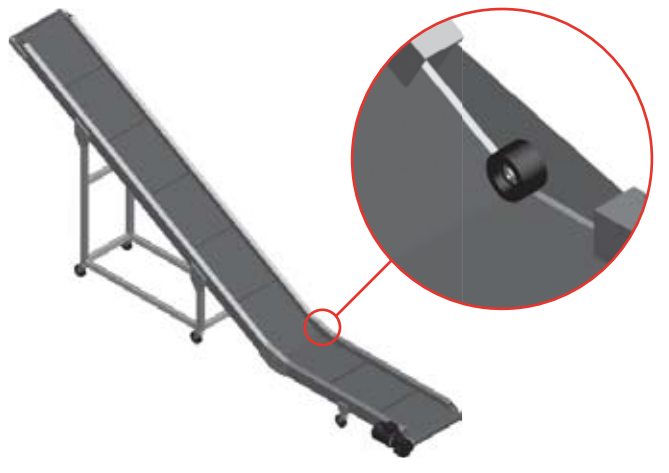
Technical Information:

Item Description	Max. Load (N)	Weight (g)	Colour	Finish	Material
SW - A	150.0	-	Black	Plain	Nylon
SW - B		-			



Support Wheels (SW):

General Information:

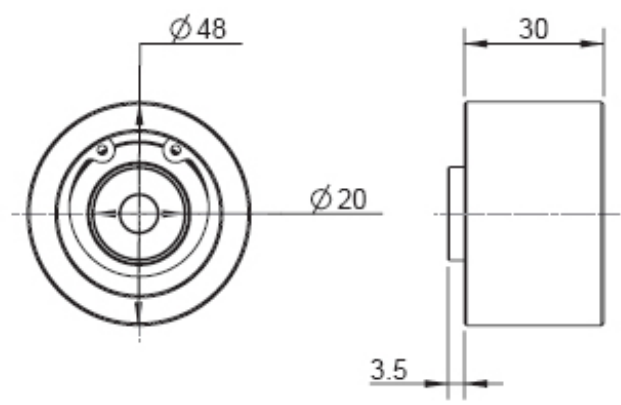


Item Description:

Item Number:

SW - C

1.25.0073.0



Technical Information:

Item Description	Max. Load (N)	Weight (g)	Colour	Finish	Material
SW - C	150.0	-	Black	Plain	Nylon



**Gravity Rollers (GR):**



**General Information:**

**Function:** Gravity roller for conveyors.

**Features:**

- 1. Rollers and shafts cut to specification.

**Note:**

- 1. Use 'Track Roller Mounting' to mount Ø8 mm shafts & the profile slot to mount Ø10 mm shafts.

**Ordering Example:**

- 1. If the parameter requirements are:

Material = Galvanized Steel      Roller Ø = 50 mm

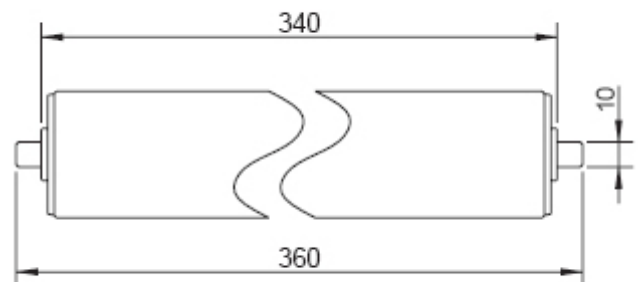
Shaft Ø = 10 mm                      -OB- = 500 mm

-SL- = 550 mm

Then the item number quoted when ordering will be:

1.97.8.OB500.SL550

Item Description:	Item Number: PVC Roller	Item Number: Galvanized Steel Roller	Item Number: Aluminium Roller
Ø25 GR/Ø8 Shaft	1.97.1 OB...SL...	1.97.2 OB...SL...	1.97.3 OB...SL...
Ø50 GR/Ø8 Shaft	1.97.4 OB...SL...	1.97.5 OB...SL...	-
Ø50 GR/Ø10 Shaft	1.97.6 OB...SL...	1.97.7 OB...SL...	-



**Technical Information:**

Item Number	Dim -D- (mm)	Dim -d- (mm)	Dim -SL- (mm)	Dim -OB- (mm)	Max. Dim -OB- (mm)	Bearing Material	Material
1.97.1.OB..SL..	25.0	8.0	Please Specify	Please Specify	300.0	Plastic	PVC
1.97.2.OB..SL..					500.0	Steel	Gal Steel
1.97.3.OB..SL..					500.0		Aluminium
1.97.4.OB..SL..	50.0	10.0	Please Specify	Please Specify	300.0	Plastic	PVC
1.97.5.OB..SL..					1000.0	Steel	Gal Steel
1.97.6.OB..SL..					300.0	Plastic	PVC
1.97.7.OB..SL..					1000.0	Steel	Gal Steel





## Track Roller Mounting (TRM):



## General Information:

**Function:** Mount for 'Gravity Rollers' with  $\varnothing 8$  mm shafts.

**Features:**

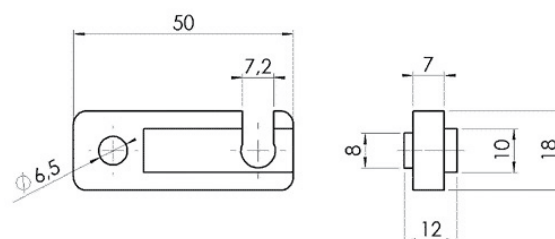
1. Easy installation.
2. Allows individual rollers to be replaced without having to dismantle the entire system.
3. The asymmetrical shape of the mount allows fixation to profiles with 8 mm and 10 mm slots.

## Item Description:

TRM -  $\varnothing 8$ 

## Item Number:

1.25.0180.0



## Technical Information:

Item Description	Max. Load (N)	Weight (g)	Colour	Finish	Material
TRM - $\varnothing 8$	-	-	Black	Plain	Fibreglass reinforced nylon



**Roller Track (RT):**



**General Information:**

**Function:** Roller Track for gravity conveyors.

**Item Description:**

RT - Large

**Item Number:**

1.35.0001.0

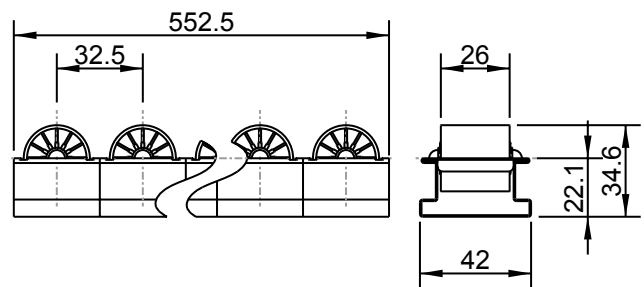
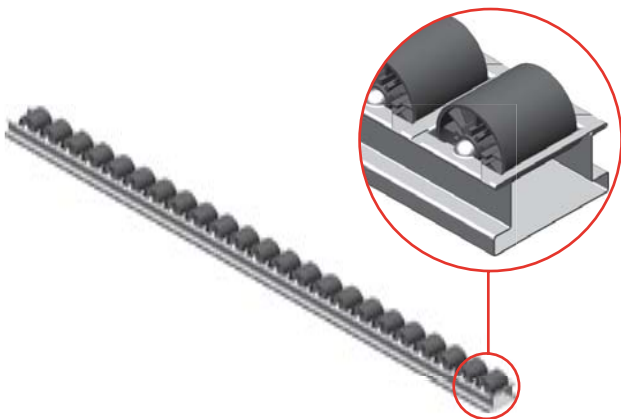


**Item Description:**

RT - Small

**Item Number:**

1.35.0002.0



**Technical Information:**

Item Description	Max. Load (N)	Roller Pitch (mm)	Weight (g)	Roller Colour	Finish	Material
RT - Large	-	-	-	Blue	-	-
RT - Small	-	-	-			